

LabJack

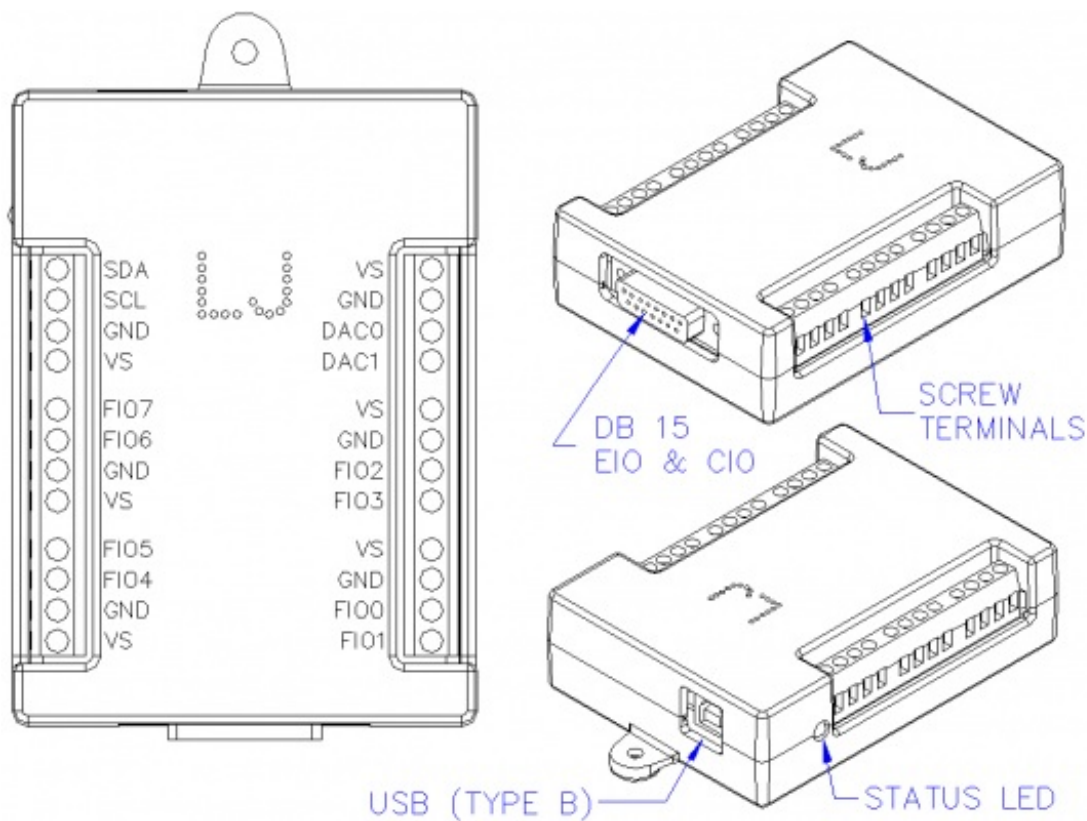
Published on *LabJack* (<https://labjack.com>)

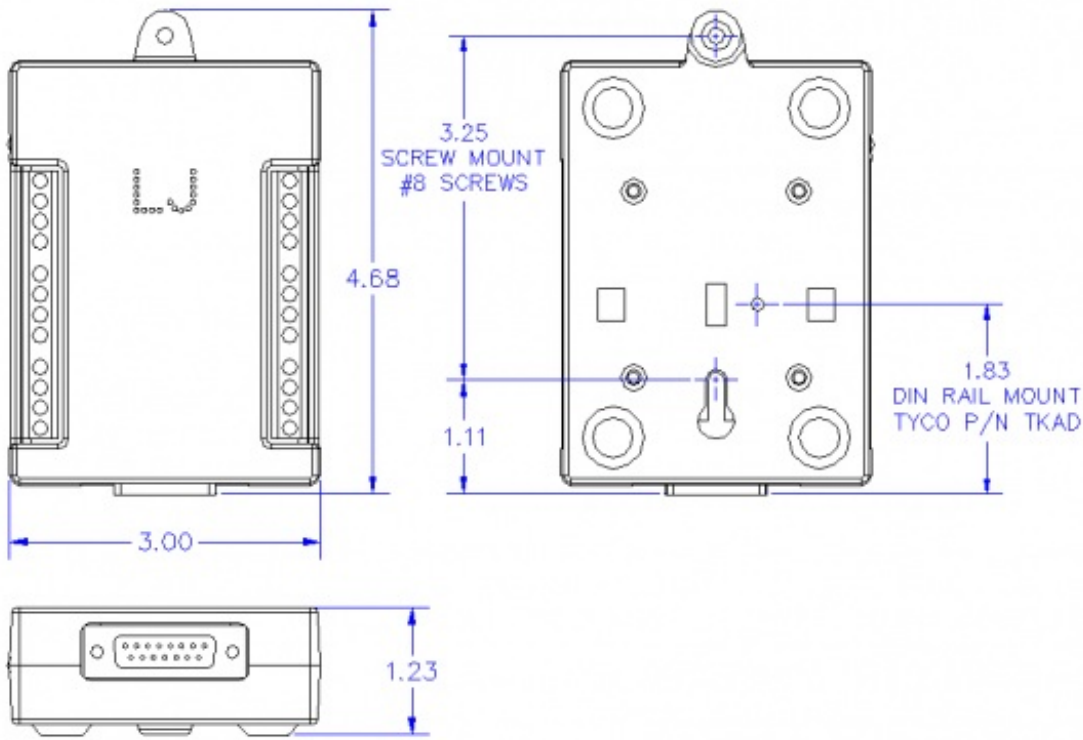
[Home](#) > [Support](#) > [Datasheets](#) > [U3 Datasheet](#) > Appendix B - Enclosure and PCB Drawings

Appendix B - Enclosure and PCB Drawings [U3 Datasheet]

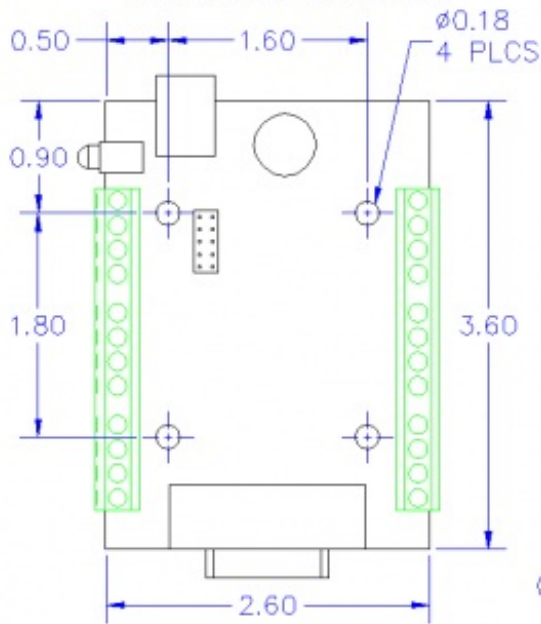
Various drawings follow. CAD drawings of the U3 attached to the bottom of this page (DWG, DXF, IGES, STEP).

The square holes on the back of the enclosure are for DIN rail mounting adapters (TE Connectivity part #TKAD).

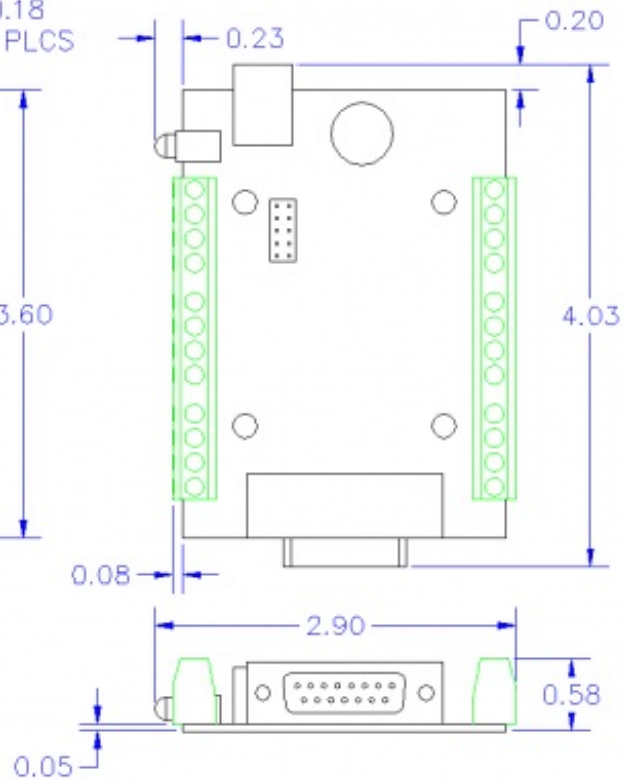




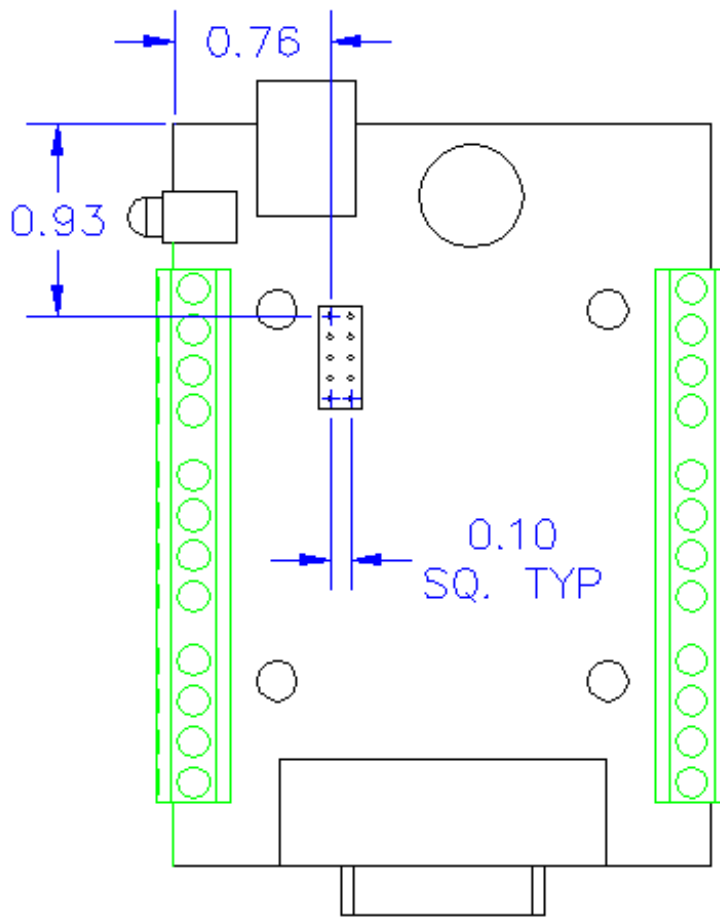
PCB MOUNTING HOLES
DIMENSIONS IN INCHES



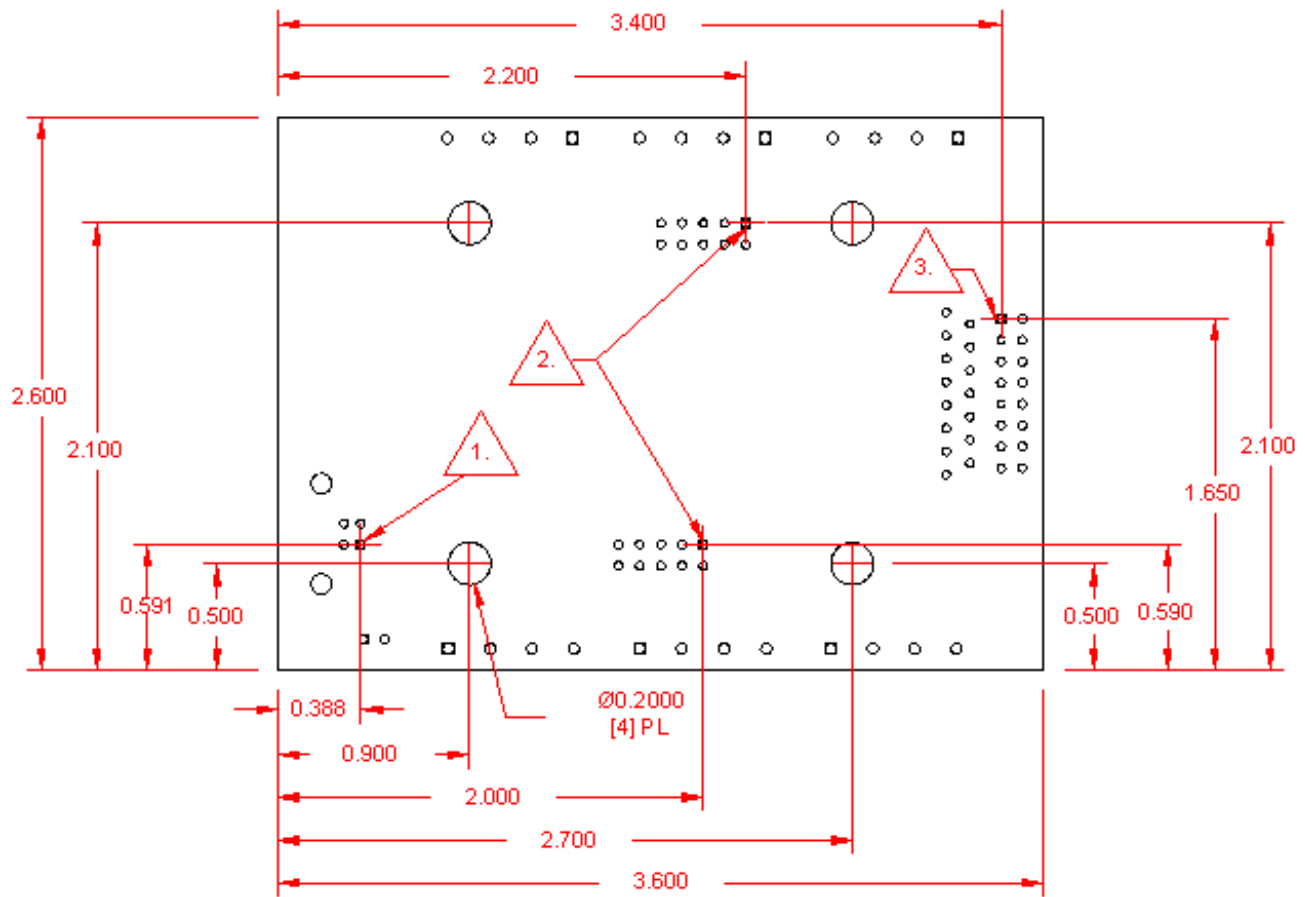
PCB AND CONNECTORS
DIMENSIONS IN INCHES



PIN HEADER DIMENSIONS IN INCHES



U3 OEM PCB Dimensions







Notes on U3 OEM PCB Dimensions

1. USB, PIN1
2. OEM 2x5 HEADER, 0.100" PITCH, PIN 1
3. OEM 2X8 HEADER, 0.100" PITCH, PIN 1

Common neutral format CAD models are provided below. Right-click and select the "Save link as..." option to download STEP files.

File Attachment:

-  [U3.IGS](#)
 -  [U3.STEP](#)
 -  [U3_OEM.STEP](#)
 -  [U3_PCB_Dimensions.dxf](#)
-